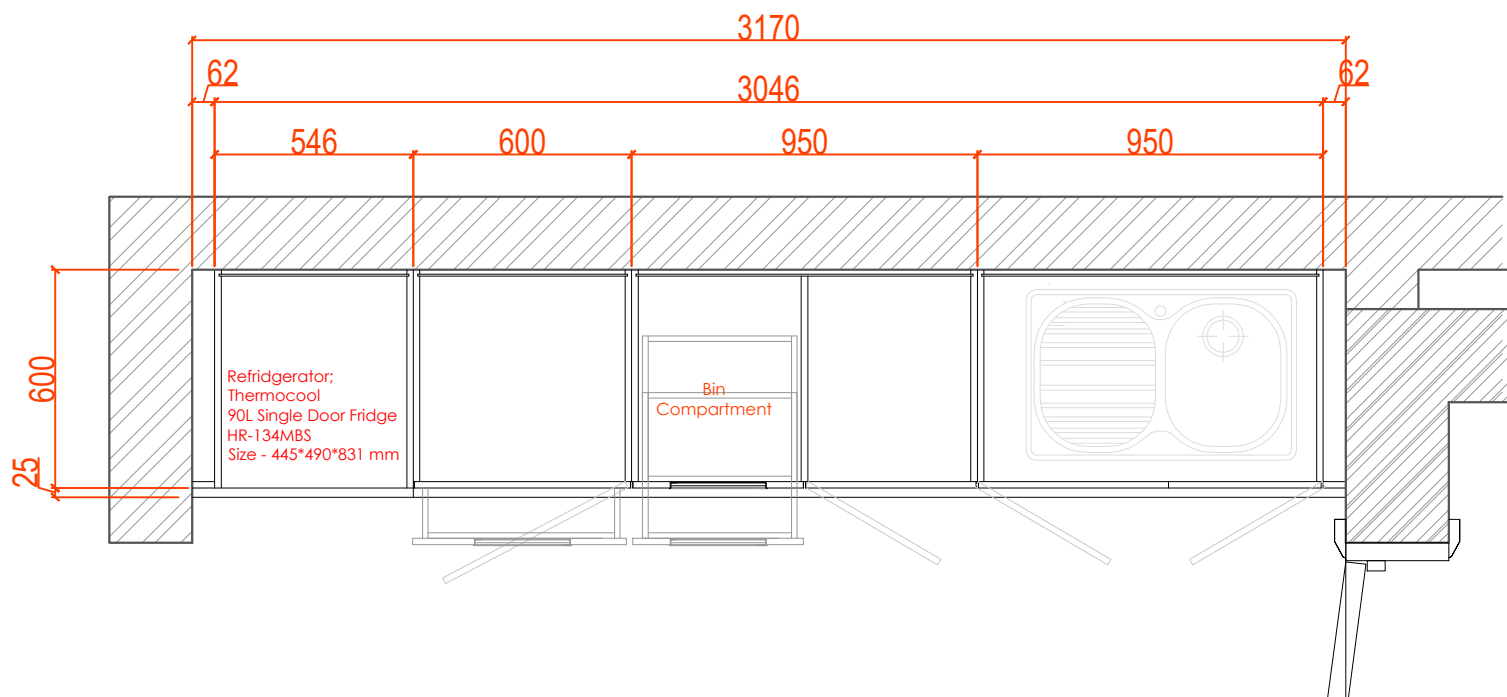


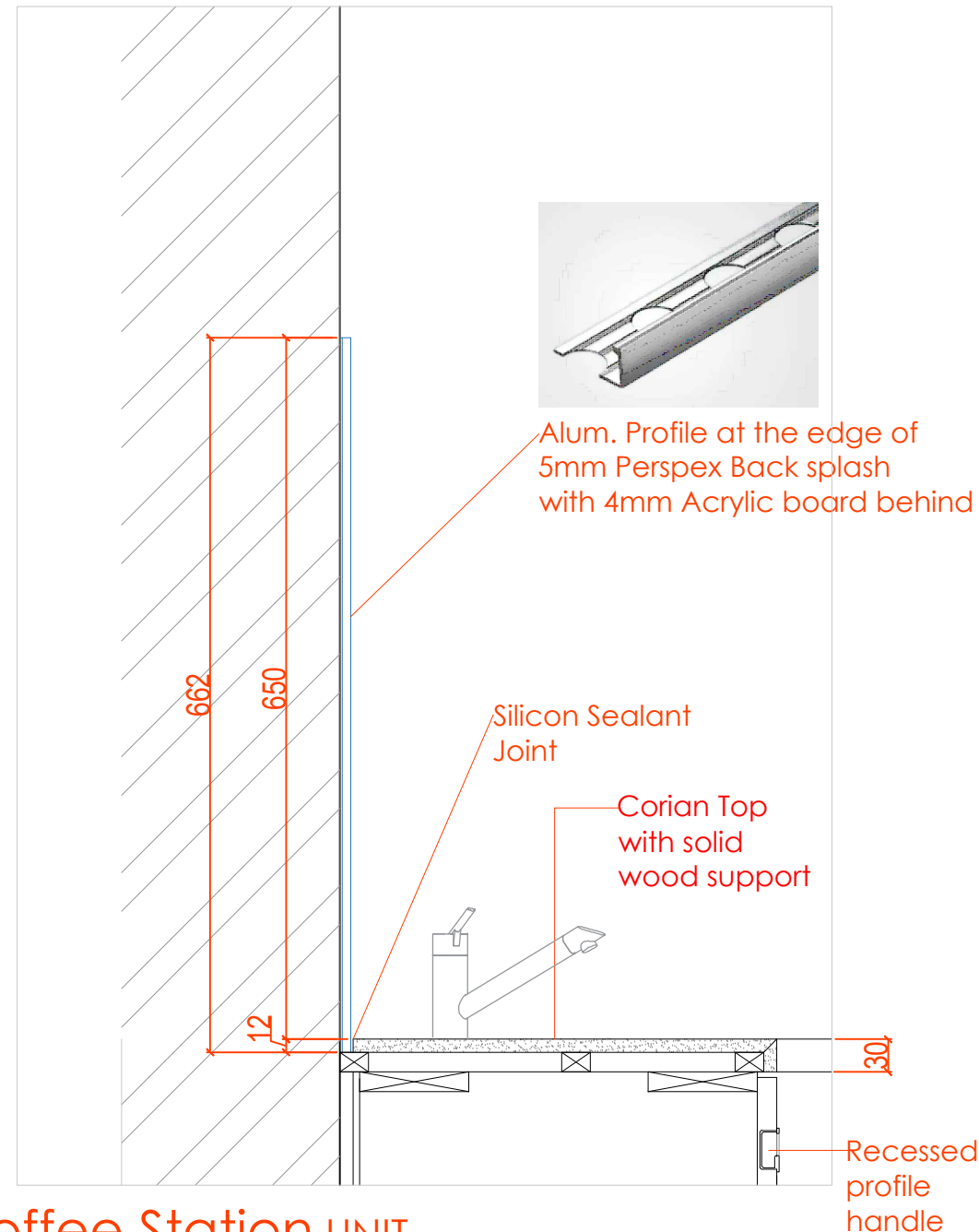
# Coffee Station at 2nd floor NEW SET OF BASE CABINET (same as Executive floor) (excluding appliances)

Base cabinet with white corian top, Tall unit in laminate finish (Swiss krono Moor Oak) with Perspex Backsplash and stainless steel skirting.

**NEW ITEM**  
**QTY 1**  
**2ND FLOOR ENERGY HUB**  
**FINISHING CODE SW287**



Coffee Station UNIT.  
Floor Plan Details



**APPROVED**

www.wood-styles.com

Copyright of designs shown herein is retained by this office. Authority is required for any reproduction. © Copyright Wood-styles Ltd.

Nigeria, Lagos +234 80 9037 9888  
Email: info@wood-styles.com

Project  
SHELL CW866175  
SHELL PROJECT  
EAGLE -ALPHA 1 TOWER

Owner  
---

Date	Description
DSD-V1-ID-13/8/2024	- REV 1
DSD-V1-ID-27/8/2024	- REV 2

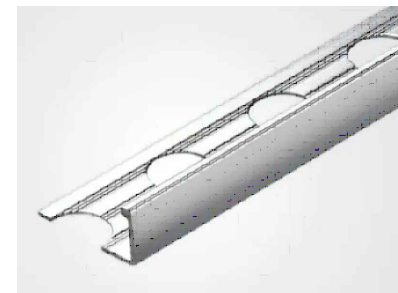
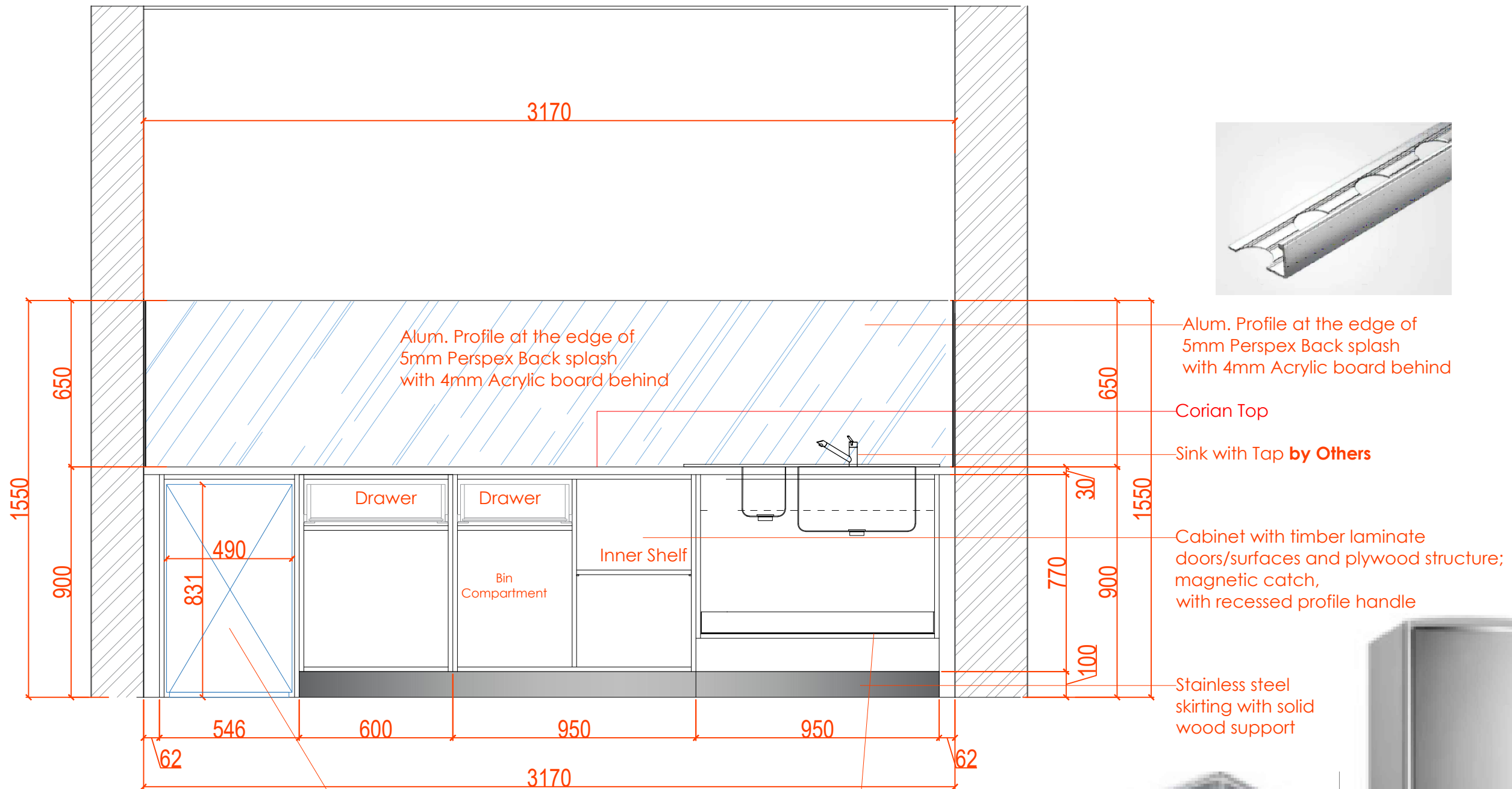
**FOR APPROVAL**

Project No. : --  
Scale : N/A  
Drawn by : OBJ  
Checked : OBJ  
Cad File : CAD\_FILE

Sheet title  
Coffee Station (Base Cabinet Same as Executive floor)  
Floor Plan and Side Details

Dwg No. WS-DS-SD-SH-017	No. SHEET 1
----------------------------	----------------

Date	Description
DSD-V1-ID-13/8/2024	- REV 1
DSD-V1-ID-27/8/2024	- REV 2



Coffee Station UNIT.  
INNER VIEW Details

Refridgerator;  
Thermocool  
90L Single Door Fridge  
HR-134MBS  
Size - 445\*490\*831 mm

Stainless Sink with  
drainer - Grohe K500

Refridgerator;  
Thermocool  
90L Single Door Fridge  
HR-134MBS  
Size - 445\*490\*831 mm

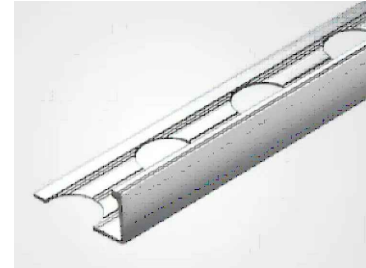
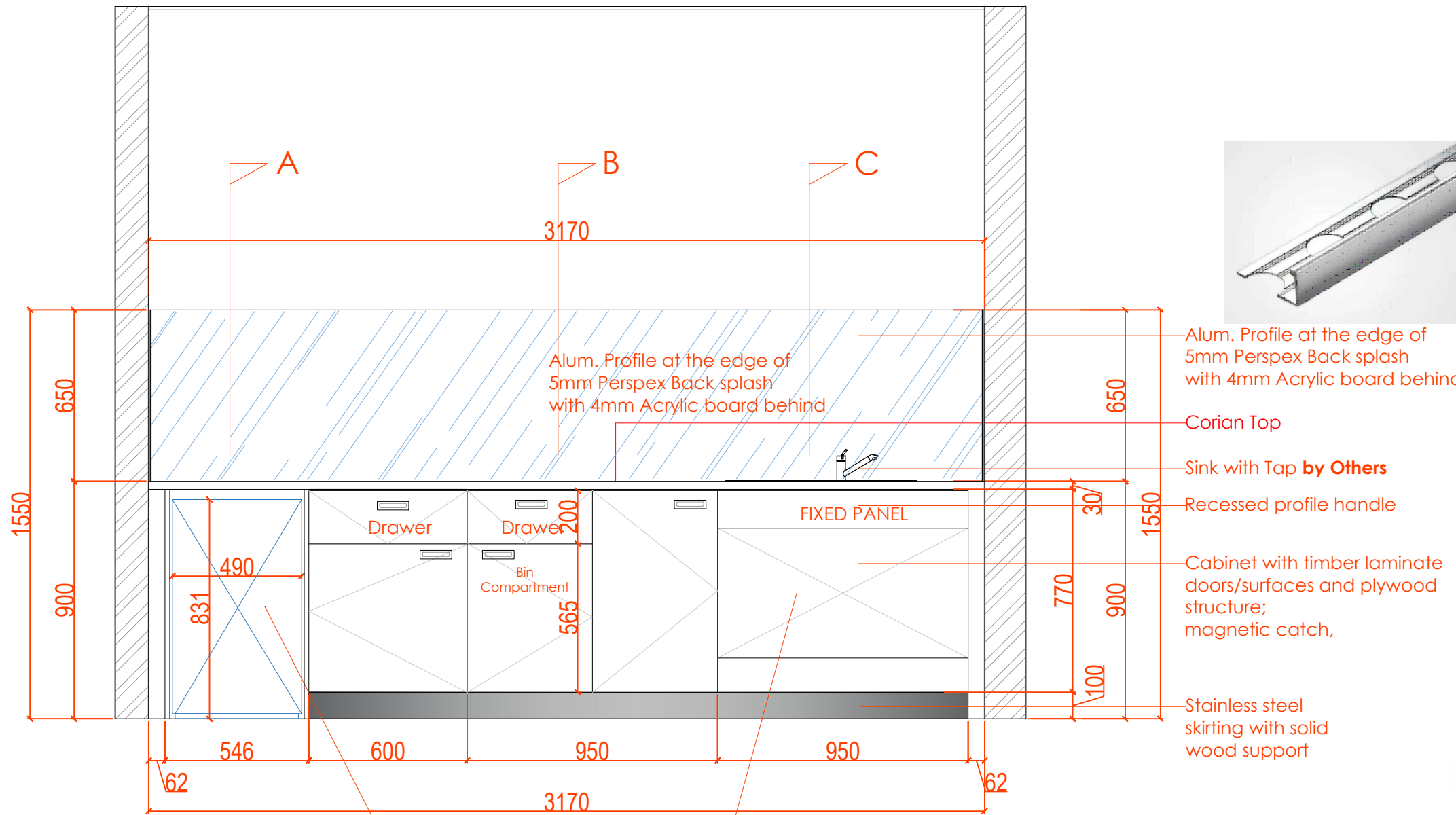
**APPROVED**

**FOR APPROVAL**

Project No. :	---
Scale :	N/A
Drawn by :	OBJ
Checked :	OBJ
Cad File :	CAD_FILE

Sheet title  
Coffee Station (Base Cabinet Same as Executive floor)  
INNER VIEW Details

Dwg No.	No.
WS-DS-SD-SH-017	SHEET 2



Alum. Profile at the edge of 5mm Perspex Back splash with 4mm Acrylic board behind

Corian Top

Sink with Tap **by Others**

Recessed profile handle

Cabinet with timber laminate doors/surfaces and plywood structure; magnetic catch,

Stainless steel skirting with solid wood support

## Coffee Station UNIT. FRONT ELEV. WITH DOOR Details

Refridgerator;  
Thermocool  
90L Single Door Fridge  
HR-134MBS  
Size - 445\*490\*831 mm

REMOVABLE PANEL FOR ACCESS  
BOTTOM OF CABINET TO BE  
PROTECTED WITH ALUMINUM FOIL  
PAD UNDERNEATH



Stainless Sink with  
drainer - Grohe K500



Refridgerator;  
Thermocool  
90L Single Door Fridge  
HR-134MBS  
Size - 445\*490\*831 mm

**APPROVED**

www.wood-styles.com

Copyright of designs shown herein is retained by this office.  
Authority is required for any reproduction.  
© Copyright Wood-styles Ltd.

Nigeria, Lagos +234 80 9037 9888  
Email: info@wood-styles.com

Project  
SHELL CW866175  
SHELL PROJECT  
EAGLE -ALPHA 1 TOWER

Owner

---

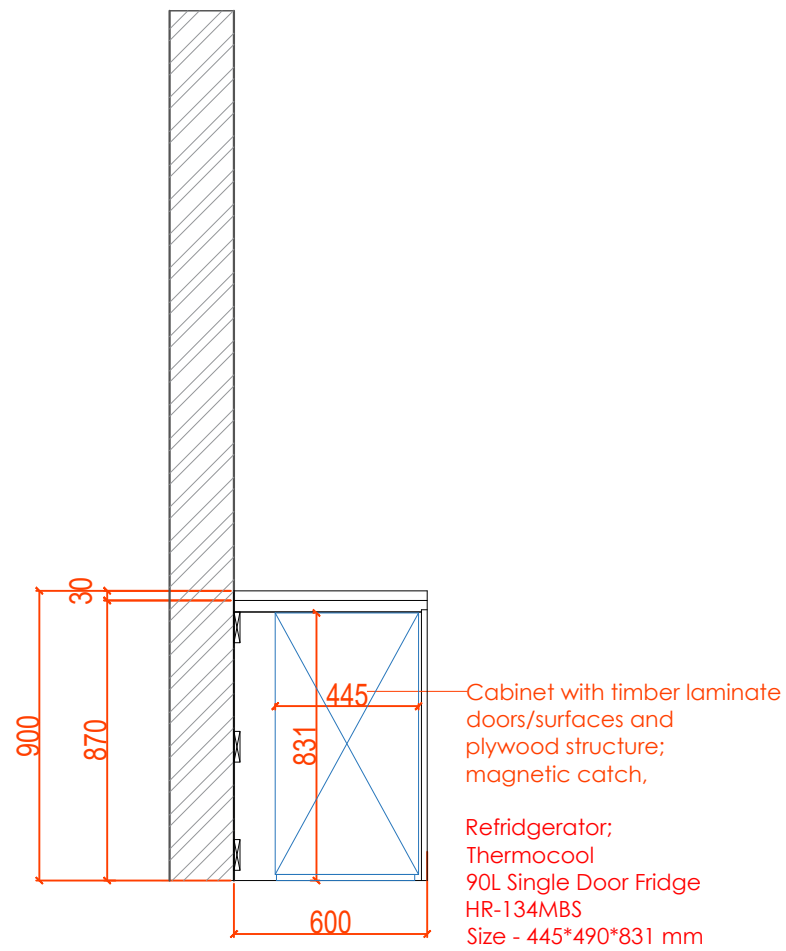
Date	Description
DSD-V1-ID-13/8/2024	- REV 1
DSD-V1-ID-27/8/2024	- REV 2

**FOR APPROVAL**

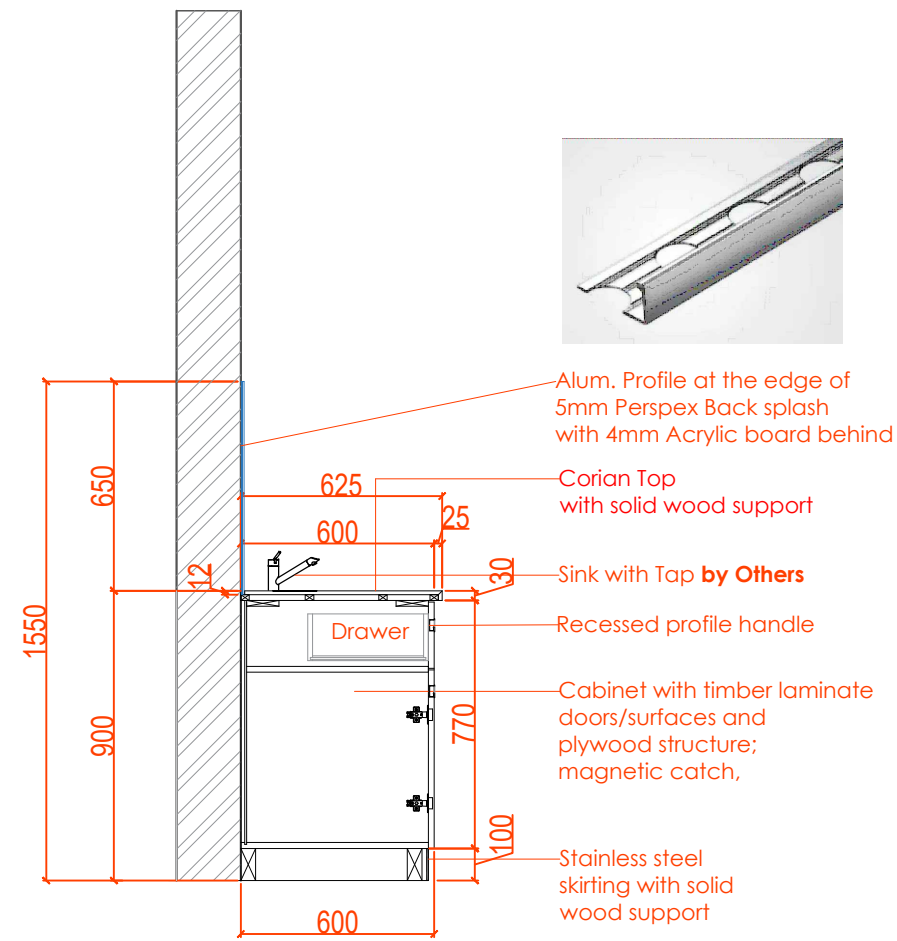
Project No. : ---  
Scale : N/A  
Drawn by : OBJ  
Checked : OBJ  
Cad File : CAD\_FILE

Sheet title  
Coffee Station (Base Cabinet Same as Executive floor)  
FRONT ELEV. WITH DOOR Details

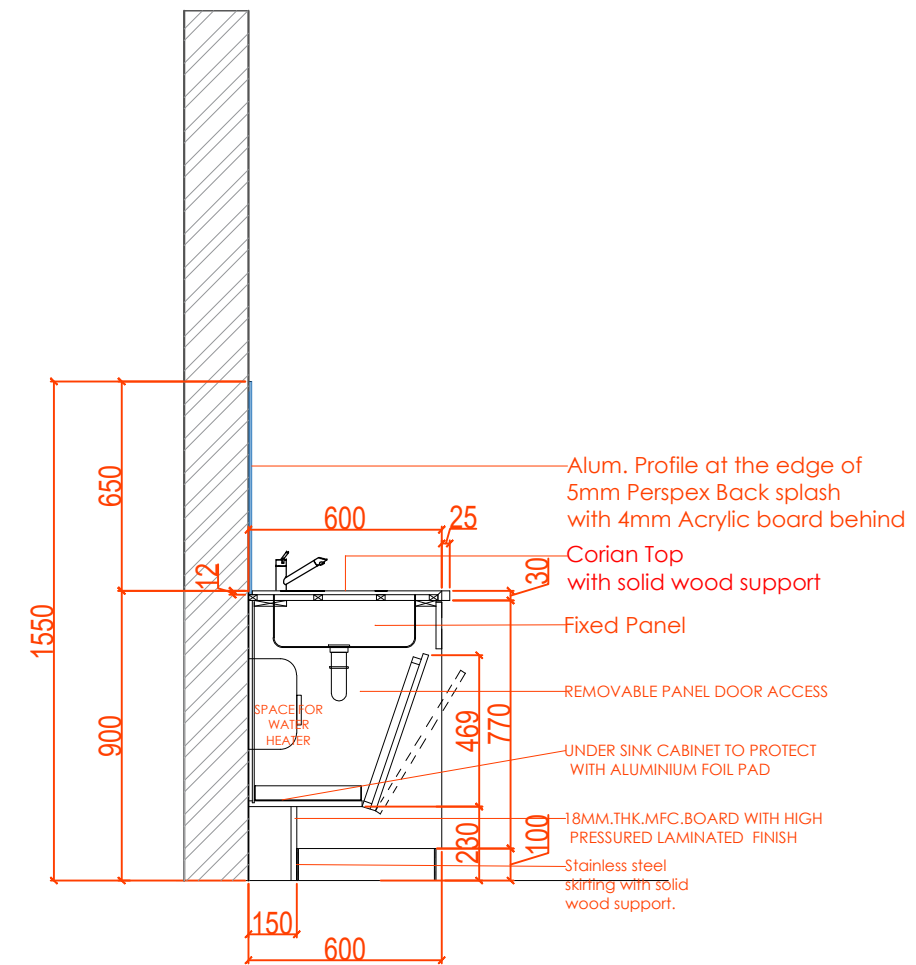
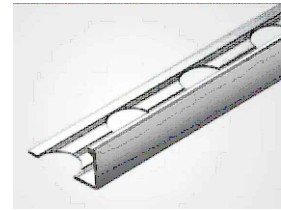
Dwg No.	No.
WS-DS-SD-SH-017	SHEET 3



Coffee Station UNIT.  
SECTIONAL Details-A



Coffee Station UNIT.  
SECTIONAL Details-B



Coffee Station UNIT.  
SECTIONAL Details-C

**APPROVED**

www.wood-styles.com

Copyright of designs shown herein is retained by this office. Authority is required for any reproduction. © Copyright Wood-styles Ltd.

Nigeria, Lagos +234 80 9037 9888  
Email: info@wood-styles.com

Project  
SHELL CW866175  
SHELL PROJECT  
EAGLE -ALPHA 1 TOWER

Owner  
---

Date	Description
DSD-V1-ID-13/8/2024	- REV 1
DSD-V1-ID-27/8/2024	- REV 2

**FOR APPROVAL**

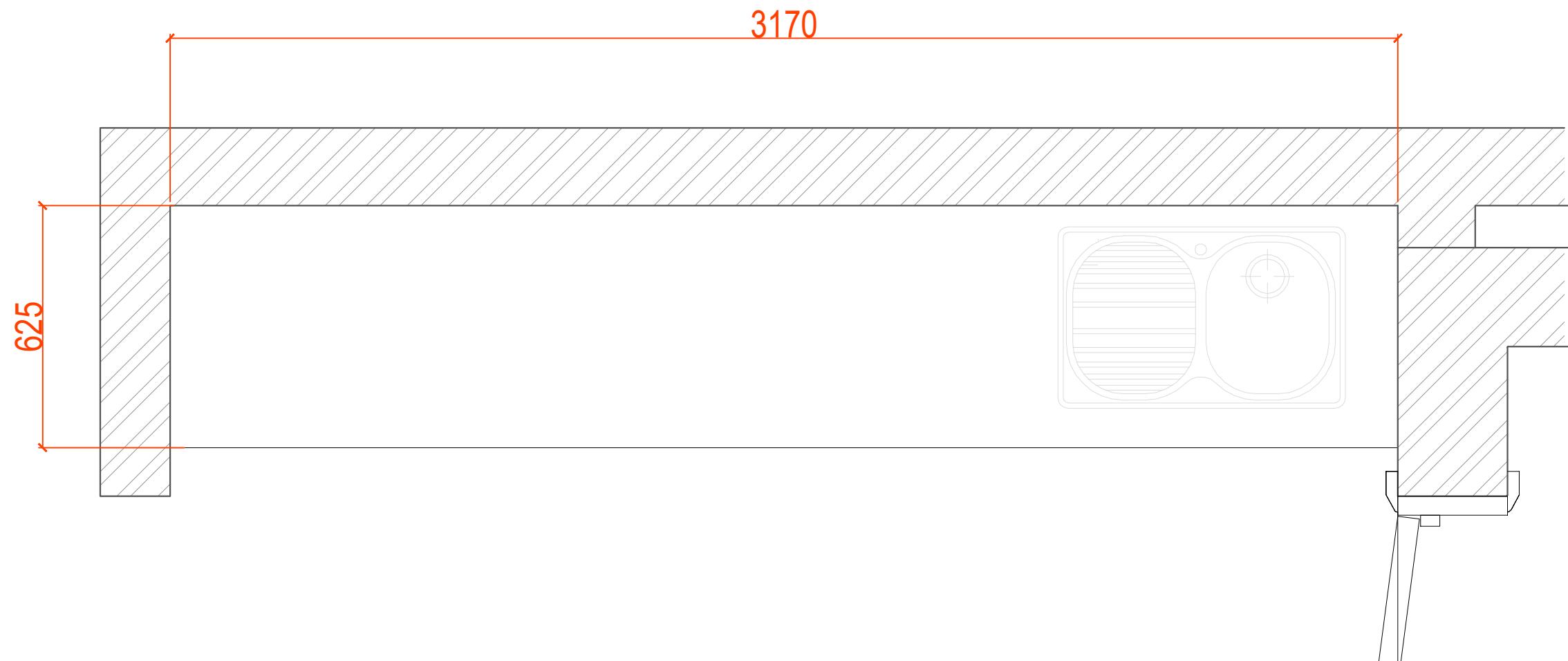
Project No. : --  
Scale : N/A  
Drawn by : OBJ  
Checked : OBJ  
Cad File : CAD\_FILE

Sheet title  
Coffee Station (Base Cabinet Same as Executive floor)  
SECTIONAL Details-A and B

Dwg No. WS-DS-SD-SH-017	No. SHEET 4
----------------------------	----------------

# Coffee Station at 2nd floor NEW SET OF BASE CABINET (same as Executive floor)

Corian Top



**APPROVED**